

TCL SOLAR E CLASS

Solar Panel

Product: HSM-BD54-DA

Power Range: 440-470 W



Ideal for residential applications



Framed glass-glass



Back Contact Technology



Bifacial energy generation

High energy yield

- Consistent energy production across all weather conditions
- Bifacial energy generation
- Low Temperature Coefficient

Elegant design

- Sleek panel aesthetic
- High-durability frame and heat-strengthened glass

Reliable operation

- Rigorous supply chain qualification procedures
- Easy to install
- Backed by a bankable company

Comprehensive warranty coverage

Product and power coverage	25-30 Years
Year 1 minimum warranted output	99.0%
Maximum annual degradation	0.35%



E CLASS POWER: 440-470 W | EFFICIENCY: Up to 23.5%

Electrical Data, Front STC Characteristics ¹							
	HSM-BD54-DA470	HSM-BD54-DA465	HSM-BD54-DA460	HSM-BD54-DA455	HSM-BD54-DA450	HSM-BD54-DA445	HSM-BD54-DA440
Nominal Power (P _{nom}) ²	470 W	465	460	455	450	445	440
Power Binning	+3/0%	3/0%	3/0%	3/0%	3/0%	3/0%	3/0%
Panel Efficiency	23.5%	23.3%	23.1%	22.8%	22.6%	22.3%	22.1%
Rated Voltage (V _{mpp})	34.74 V	34.68 V	34.62 V	34.56 V	34.50 V	34.44 V	34.38 V
Rated Current (I _{mp})	13.54 A	13.41 A	13.29 A	13.17 A	13.05 A	12.93 A	12.80 A
Open-Circuit Voltage (V _{oc}) ²	41.18 V	41.12 V	41.06 V	41.00 V	40.94 V	40.88 V	40.82 V
Short-Circuit Current (I _{sc}) ²	14.32 A	14.29 A	14.25 A	14.22 A	14.12 A	14.02 A	13.92 A

BNPI Data ³							
Nominal Power (P _{max}) ²	490 W	485 W	480 W	475 W	470 W	465 W	460 W
Open-Circuit Voltage (V _{oc}) ²	41.18 V	41.12 V	41.06 V	41.00 V	40.94 V	40.88 V	40.82 V
Short-Circuit Current (I _{sc}) ²	15.13 A	15.03 A	14.93 A	14.83 A	14.73 A	14.63 A	14.53 A

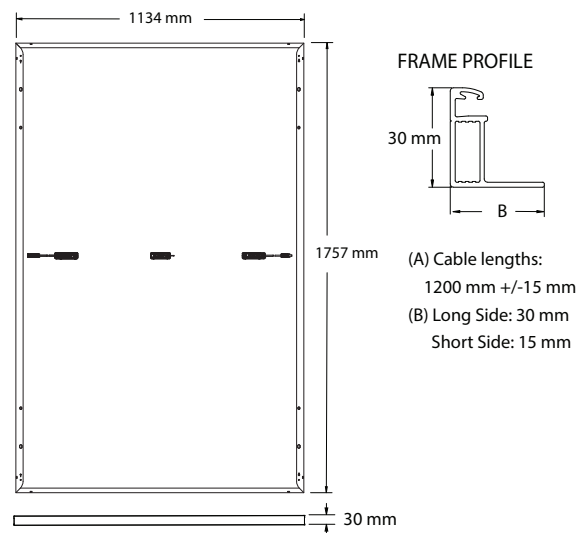
Bifacial Gain ⁴							
P _{max} with 5% Bifacial Gain	494 W	488 W	483 W	478 W	473 W	467 W	462 W
I _{sc} with 5% Bifacial Gain	15.04 A	15.00 A	14.96 A	14.93 A	14.83 A	14.72 A	14.62 A
P _{max} with 10% Bifacial Gain	517 W	512 W	506 W	501 W	495 W	490 W	484 W
I _{sc} with 10% Bifacial Gain	15.75 A	15.72 A	15.68 A	15.64 A	15.53 A	15.42 A	15.31 A

Electrical Data	
Bifaciality (φP _{max} /φI _{sc})	75% +/-5%
Bifaciality (φV _{oc})	98% +/-2%
Maximum System Voltage	1500 V IEC
Testing Temperature	-40°C to +85°C
Operation Temperature	-40°C to +70°C (IEC TS 63126)
Maximum Series Fuse	25 A
Power Temp. Coef.	-0.26% / °C
Voltage Temp. Coef.	-0.22% / °C
Current Temp. Coef.	0.05% / °C

Mechanical Data	
Solar Cells	N-Type Back Contact
Glass	2.0 mm + 2.0 mm, high transmission heat strengthened glass, AR coating on front glass
Junction Box	IP-68, 3 bypass diodes
Connector	Stäubli MC4-EVO2
Weight	24.5 kg
Max. Load ⁵	Wind: 2400 Pa, 245 kg/m ² front & back Snow: 5400 Pa, 550 kg/m ² front
Impact Resistance	25 mm diameter hail at 23 m/s
Frame	Black Anodized Aluminum Alloy

Packaging Configuration	
Number of modules per pallet	36
Number of pallets per 40ft HQ container	26
Number of modules per container	936

Tests And Certifications	
Standard Tests	IEC 61215, IEC 61730
Fire Rating	Class A (IEC 61730-2 / UL 790)
Protection Class	Class II (IEC 61140)
Quality Certs	ISO 9001:2015, ISO 14001:2015
EHS Compliance	ISO 45001:2018, add ISO 50001:2018, Recycling Scheme



Please read the safety and installation instructions. Visit www.sunpowerglobal.com/PVInstallGuide. Paper version can be requested through techsupport.ROW@sunpowerglobal.com

1 Standard Test Conditions (1000 W/m² irradiance, AM 1.5, 25° C). NREL calibration Standard: SOMS current, LACCS FF and Voltage.
2 Measurements tolerance +/-3%.

3 BNPI Test Condition (front 1000 W/m², rear 135W/m² irradiance, AM 1.5, 25° C).

4 The additional gain from the back side of the panel compared to the power of the front side of the panel at the standard test conditions. It depends on mounting (structure, height, tilt angle etc.) and albedo of the underlying surface.

5 Test load as per IEC 61215-2 is equal to design load with safety factor = 1.5. See "Safety and Installation Instructions" for details.

Specifications included in this datasheet are subject to change without notice.
©2025 TCL SunPower Global. All Rights Reserved.

TCL SOLAR

554417 REV A / A4_EN
Publication Date: April 2025